



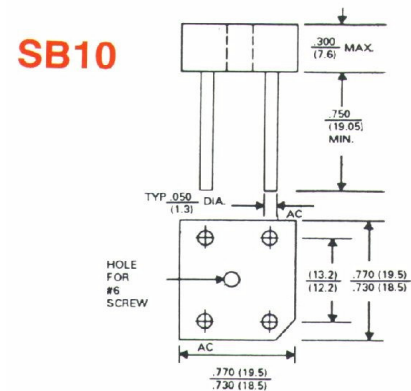
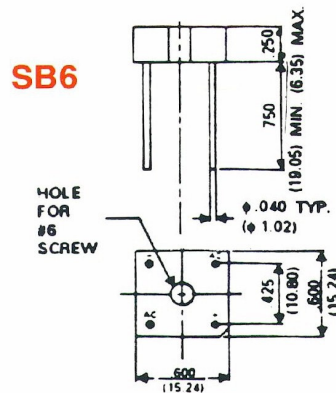
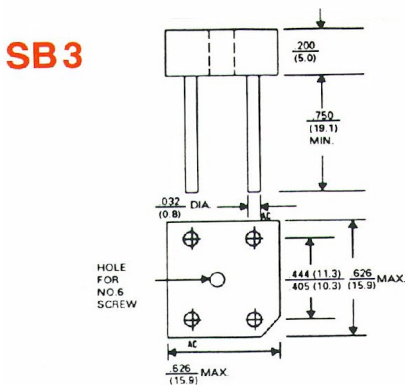
SB3, SB6, SB8, & SB10

EDI Single-3 to 10 Amperes Commercial Grade Bridges

PRV/Leg	50V	100V	200V	400V	600V	800V	1000V
SB3 SERIES 3 Amp	SB305	SB310	SB320	SB340	SB360	SB380	SB3100
SB6 SERIES 6 Amp	SB601	SB602	SB603	SB604	SB605	SB606	SB607
SB8 SERIES 8 Amp	SB801	SB802	SB803	SB804	SB805	SB806	SB807
SB10 SERIES 10 Amp	SB101	SB102	SB103	SB104	SB105	SB106	SB107

Electrical Characteristics at $T_A = 25^\circ\text{C}$ Unless Otherwise Specified	SB3 Series	SB6 Series	SB8 Series	SB10 Series	UNIT
Average Output Current, $I_O @ 50^\circ\text{C } T_C$	3	6	8	10	Amp
Max. Forward Voltage Drop, $V_{FM} = 1.1\text{V} @ I_F =$	1.5	3	4	5	Amp
Max. DC Reverse Current @ PRV I_R	10	10	10	10	μA
Max Peak Surge Current, I_{FSM} (8.3ms)	60	200	200	200	Amp
Package Style	SB3	SB6	SB10	SB10	

DIAGRAMS



EDI reserves the right to change these specifications at any time without notice.

ELECTRONIC DEVICES, INC. DESIGNER AND MANUFACTURERS OF SOLID DEVICES SINCE 1951.

• 21 GRAYOAKS AVENUE, YONKERS, NEW YORK, 10710
 • FAX: 914-965-5531

• 914-965-4400 1-800-678-0828
 • e-mail: sales@EDIdiodes.com web site: www.EDIdiodes.com